

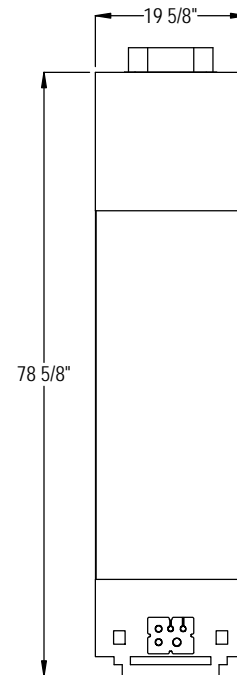
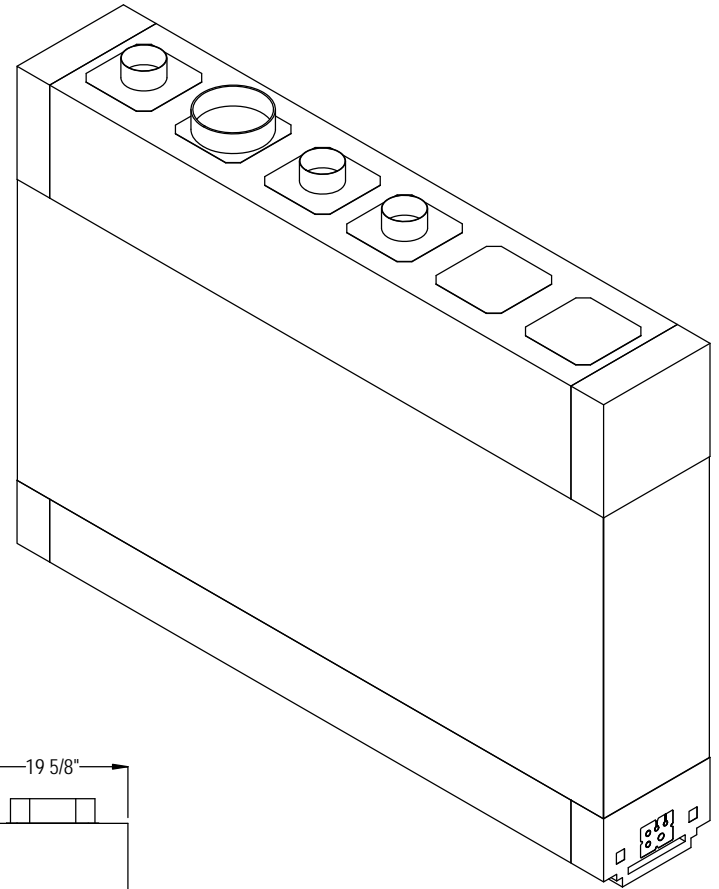
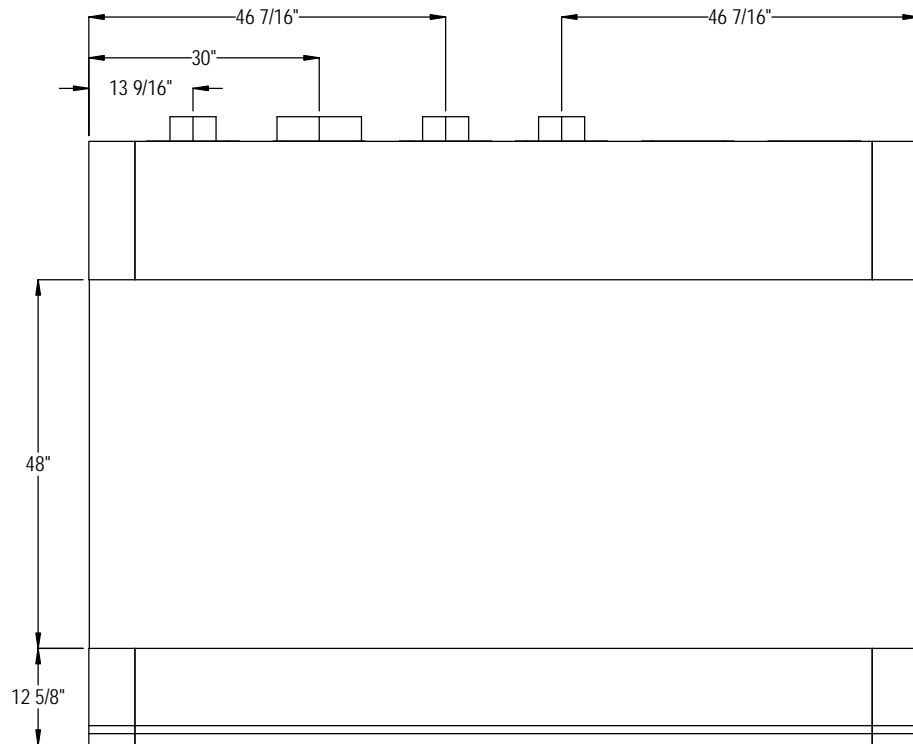
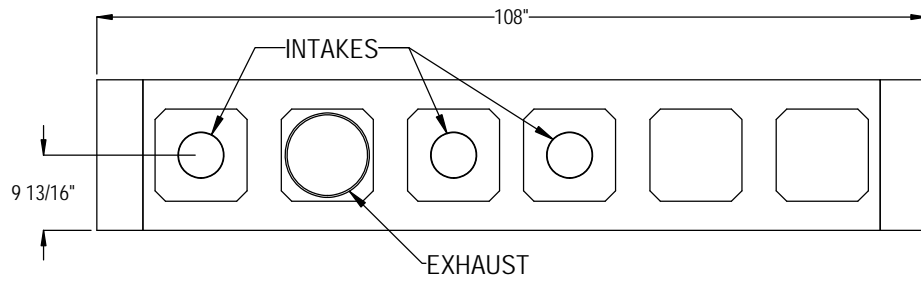
DaVinci Custom Fireplace™

STYLE: ISLAND 108" x 48"

Electrical Req'd - 7A 120V Gas Req'd - 116,000 BTU's

NG - Min = 5.5"wc (1.37kpa), Max = 7"wc (1.74 kpa)

LP - Min = 11"wc (2.74 kpa), Max = 13"wc (3.23 kpa)



NOTE:
INTAKE/EXHAUST DIMENSIONS SHOWN
FOR LEFT SIDE GAS & ELECTRICAL